

**STAIN NOTES**

-STAIN COLOUR TO BE: CLOVERDALE WEATHER ONE LIGHT BROWN SOLID - JENSEN LAKES CODE # 050B0453

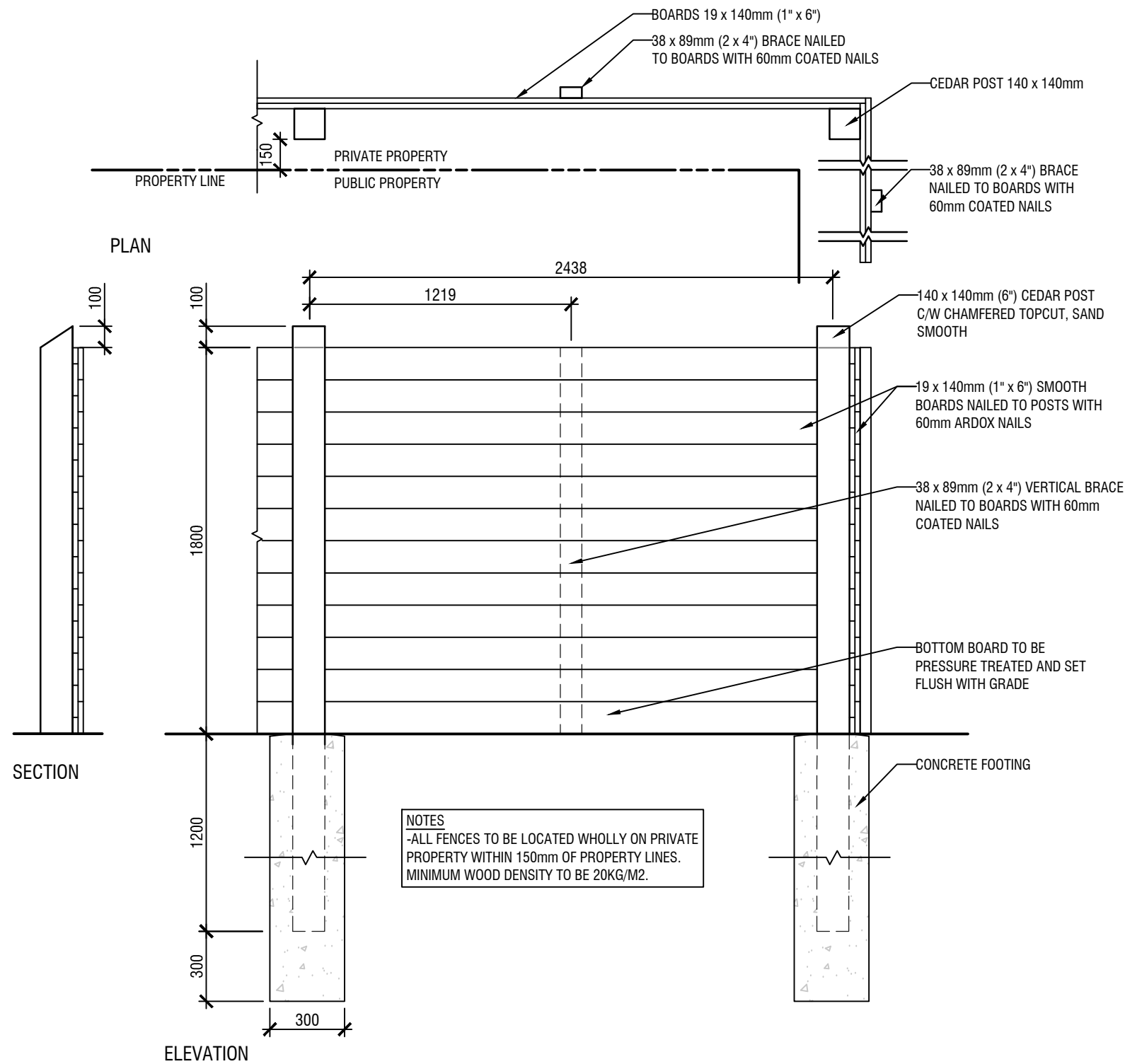
-FIRST COAT EVENLY APPLIED PRIOR TO ASSEMBLY WITH ALL CUT ENDS DIPPED.

-SECOND COAT EVENLY APPLIED TO COVER ALL EXPOSED SURFACES OF FENCE IN PLACE.

-STAIN TO BE APPLIED AS PER MANUFACTURER'S SPECIFICATIONS

**NOTE:** THE STAIN COLOUR FOR THE WOOD SCREEN FENCING IN JENSEN LAKES STAGES 1, 2, 3, 4, 6 & 7 IS ALSO PERMITTED TO BE:

-CLOVERDALE WEATHER ONE LIGHT BROWN WST 009 SEMI-TRANSPARENT.



**STAIN NOTES**

-STAIN COLOUR TO BE: CLOVERDALE WEATHER ONE LIGHT BROWN SOLID - JENSEN LAKES CODE # 050B0453

-FIRST COAT EVENLY APPLIED PRIOR TO ASSEMBLY WITH ALL CUT ENDS DIPPED.

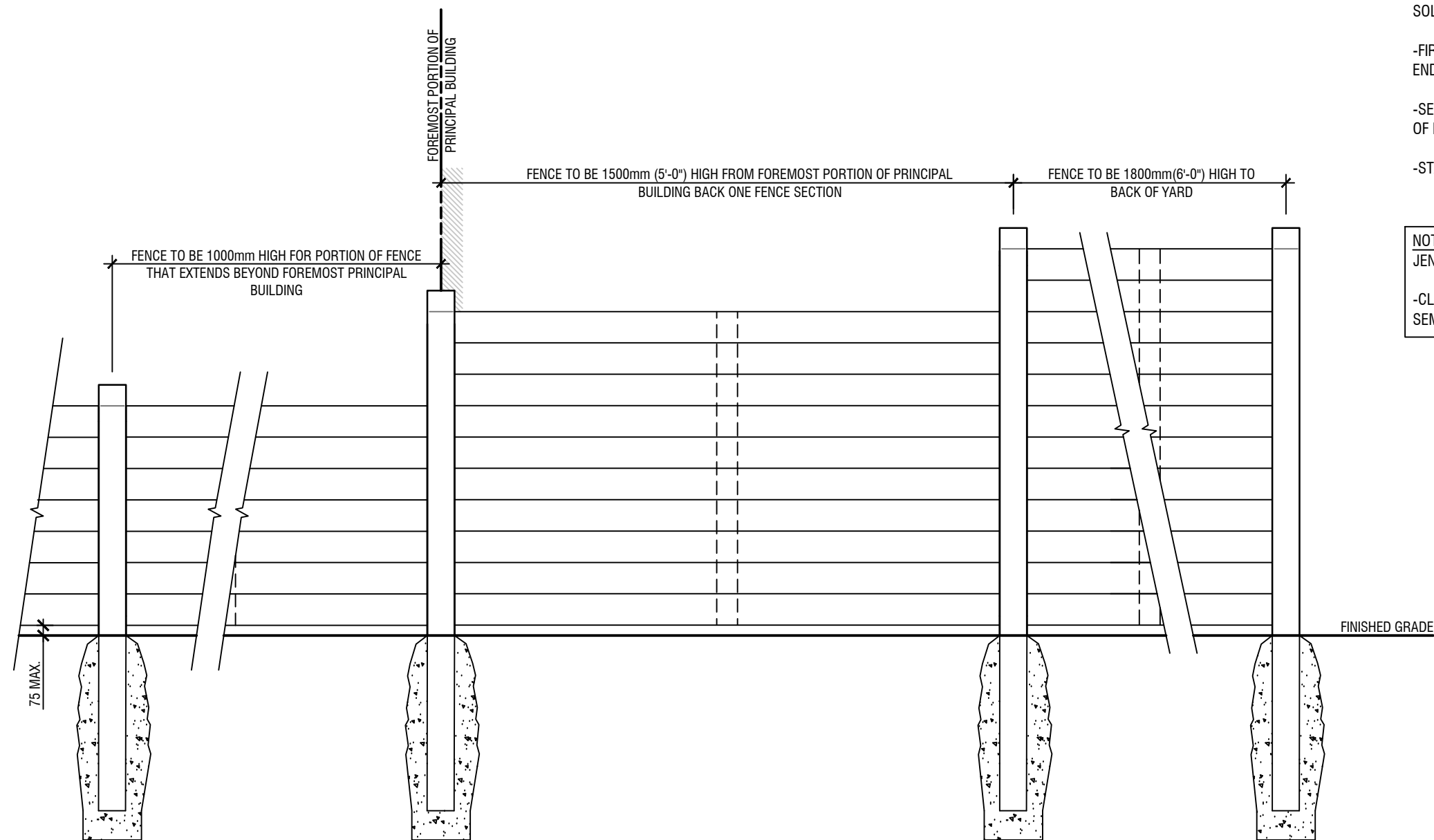
-SECOND COAT EVENLY APPLIED TO COVER ALL EXPOSED SURFACES OF FENCE IN PLACE.

-STAIN TO BE APPLIED AS PER MANUFACTURER'S SPECIFICATIONS

**NOTE:** THE STAIN COLOUR FOR THE WOOD SCREEN FENCING IN JENSEN LAKES STAGES 1, 2, 3, 4, 6 & 7 IS ALSO PERMITTED TO BE:

-CLOVERDALE WEATHER ONE LIGHT BROWN WST 009 SEMI-TRANSPARENT.

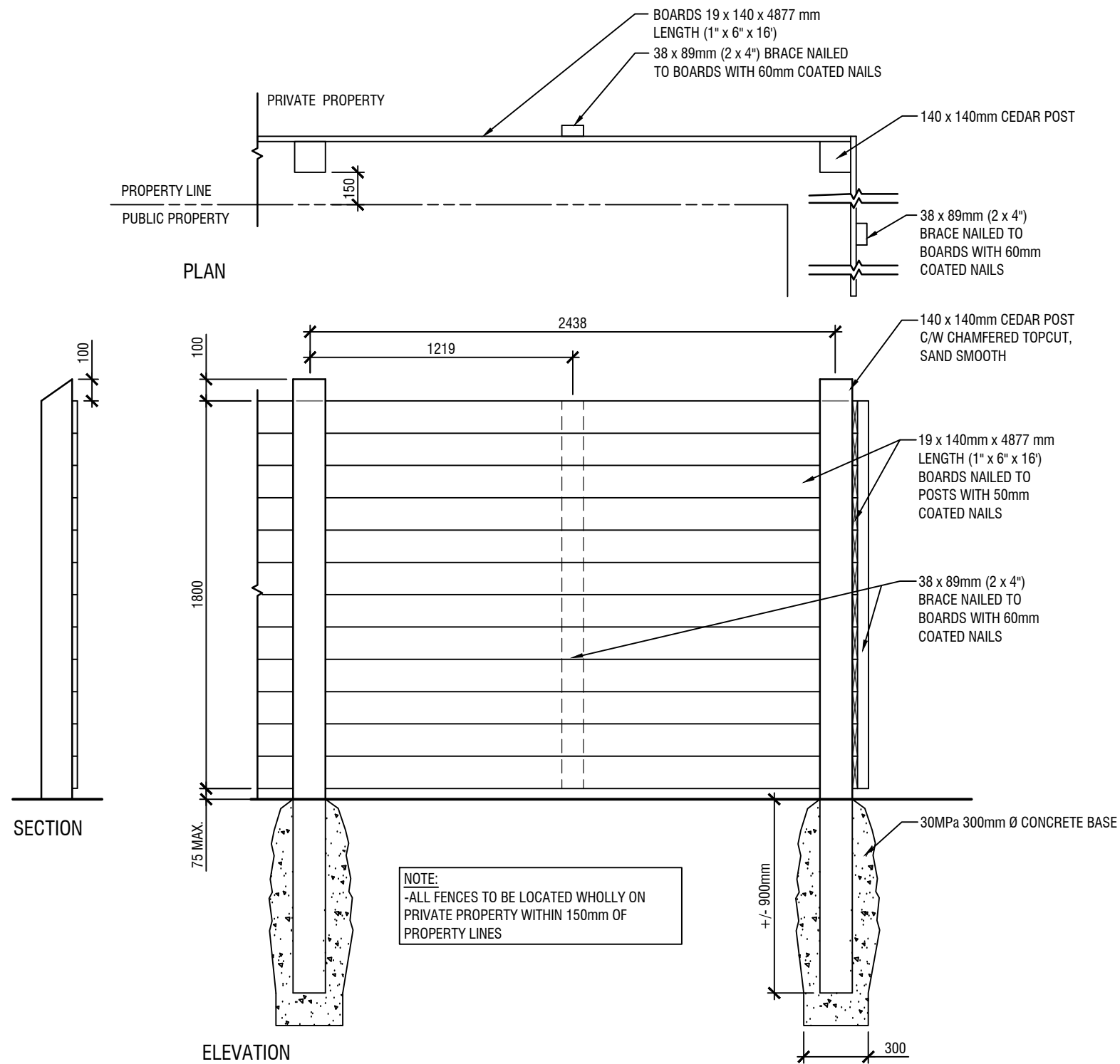
**NOTES**  
 -ALL FENCES TO BE LOCATED WHOLLY ON PRIVATE PROPERTY WITHIN 150mm OF PROPERTY LINES.  
 MINIMUM WOOD DENSITY TO BE 20KG/M2.



**STAIN NOTES**

- STAIN COLOUR TO BE: CLOVERDALE WEATHER ONE LIGHT BROWN SOLID - JENSEN LAKES CODE # 050B0453
- FIRST COAT EVENLY APPLIED PRIOR TO ASSEMBLY WITH ALL CUT ENDS DIPPED.
- SECOND COAT EVENLY APPLIED TO COVER ALL EXPOSED SURFACES OF FENCE IN PLACE.
- STAIN TO BE APPLIED AS PER MANUFACTURER'S SPECIFICATIONS

**NOTE:** THE STAIN COLOUR FOR THE WOOD SCREEN FENCING IN JENSEN LAKES STAGES 1, 2, 3, 4, 6 & 7 IS ALSO PERMITTED TO BE:  
 -CLOVERDALE WEATHER ONE LIGHT BROWN WST 009 SEMI-TRANSPARENT.



**STAIN NOTES**

-STAIN COLOUR TO BE: CLOVERDALE WEATHER ONE LIGHT BROWN SOLID - JENSEN LAKES CODE # 050B0453

-FIRST COAT EVENLY APPLIED PRIOR TO ASSEMBLY WITH ALL CUT ENDS DIPPED.

-SECOND COAT EVENLY APPLIED TO COVER ALL EXPOSED SURFACES OF FENCE IN PLACE.

-STAIN TO BE APPLIED AS PER MANUFACTURER'S SPECIFICATIONS

NOTE: THE STAIN COLOUR FOR THE WOOD SCREEN FENCING IN JENSEN LAKES STAGES 1, 2, 3, 4, 6 & 7 IS ALSO PERMITTED TO BE:

-CLOVERDALE WEATHER ONE LIGHT BROWN WST 009 SEMI-TRANSPARENT.